

Volvo B Ride Suspension

Indicate which axle you measured Front / Rear

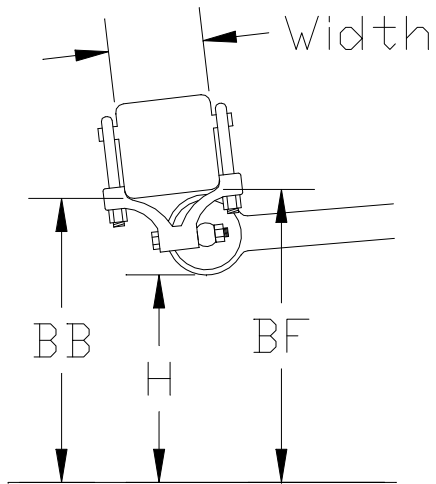
Brake Chamber Location Front / Rear

Tire Size _____

NOTE: AXLE STYLE
(Circle One)

ROUND

SQUARE



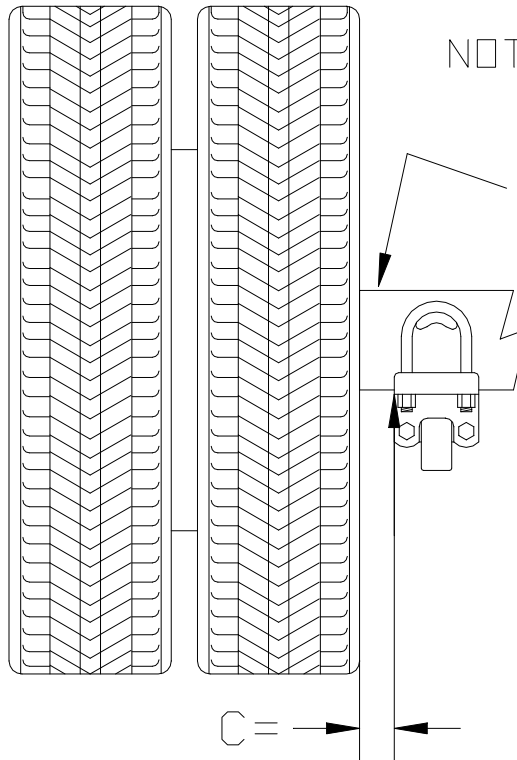
Side View

BF =

BB =

H =

W =

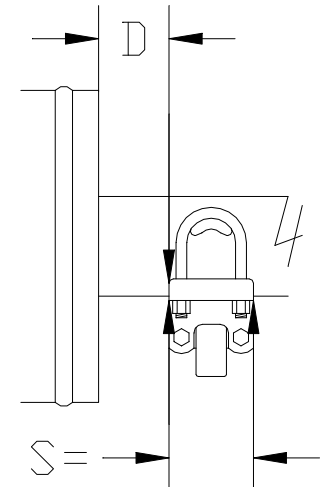


Rear View

C =

(Distance From Saddle)

(Plate to Tire Sidewall)



Rear View
(Brake Drum)

S =

(Width of Saddle)

D =

(Distance From)

(Saddle Plate to)

(Brake Drum)

DEALER: _____
CUSTOMER: _____

Fax completed form to 812-346-1819