



Capacity Yard Tractor 3130029

Distributor \_\_\_\_\_

Customer \_\_\_\_\_

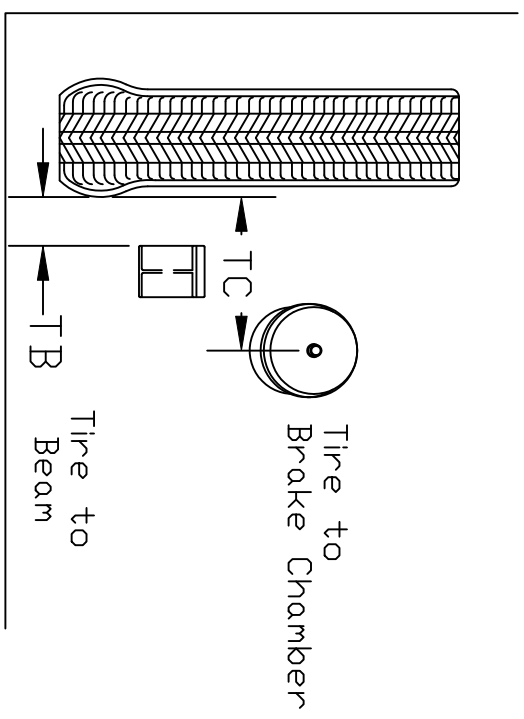
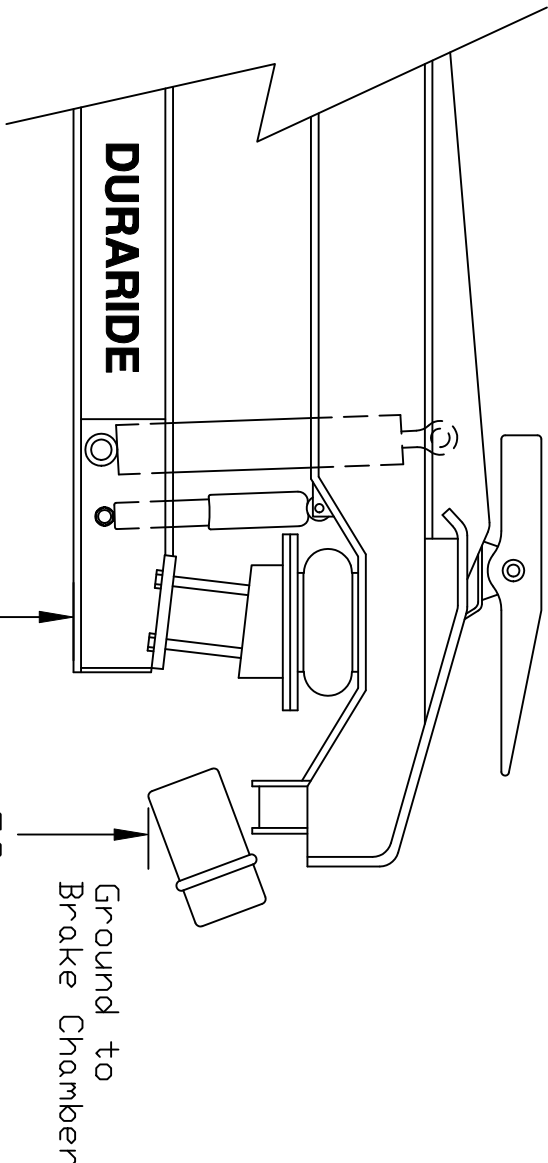
Address \_\_\_\_\_

Phone Number \_\_\_\_\_

Vehicle Make, Model, & Year \_\_\_\_\_

Tire Size \_\_\_\_\_

Fax completed form to: 812-346-1819



GB = \_\_\_\_\_

GC = \_\_\_\_\_

TB = \_\_\_\_\_

TC = \_\_\_\_\_