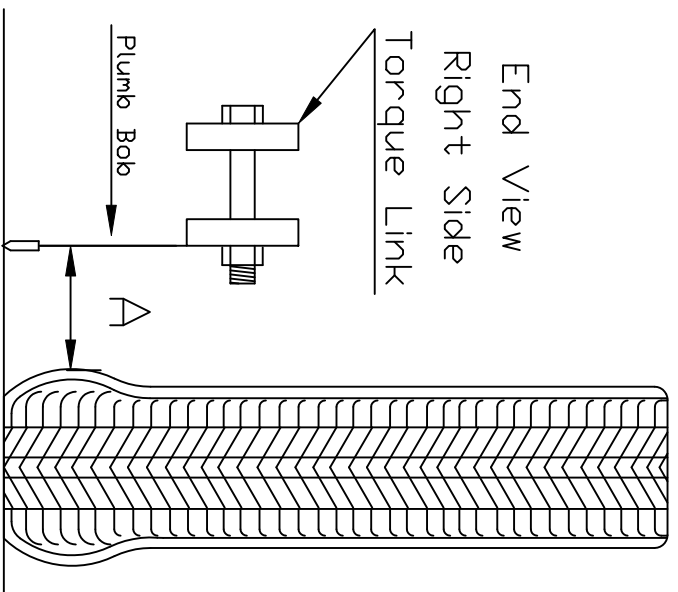




Ottawa Yard Tractor 3130021

Distributor _____
Customer _____
Address _____
Phone Number _____
Vehicle Make, Model, & Year _____
Tire Size _____
Fax completed form to: 812-346-1819

Left Side Right Side
A = _____ A = _____



Left Side

Right Side

B = _____

B = _____

C = _____

C = _____

D = _____

D = _____

E = _____

E = _____

F = _____

F = _____

G = _____

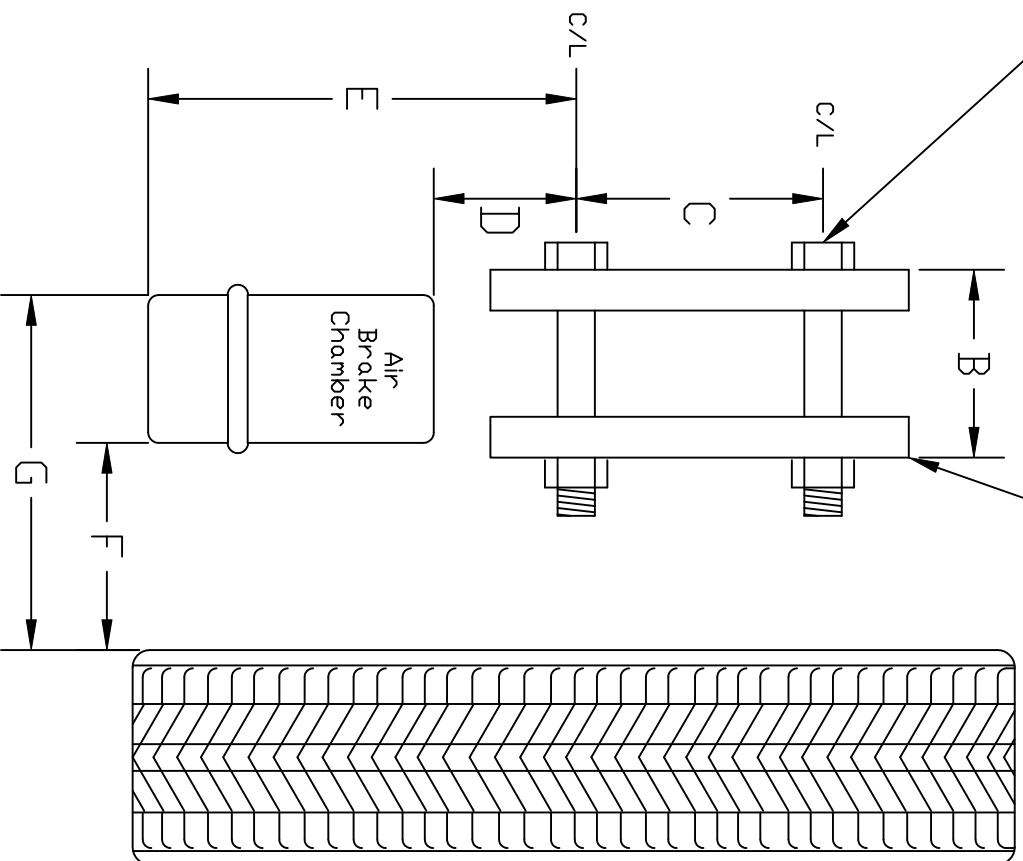
G = _____

Front of
Vehicle



Bolt
Diameter = _____

Top View
Right Side
Torque Link



Left Side Right Side

H = _____

H = _____

I = _____

I = _____

J = _____

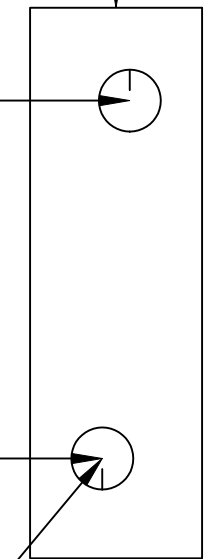
J = _____

K = _____

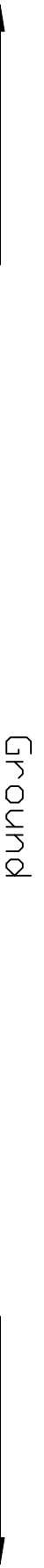
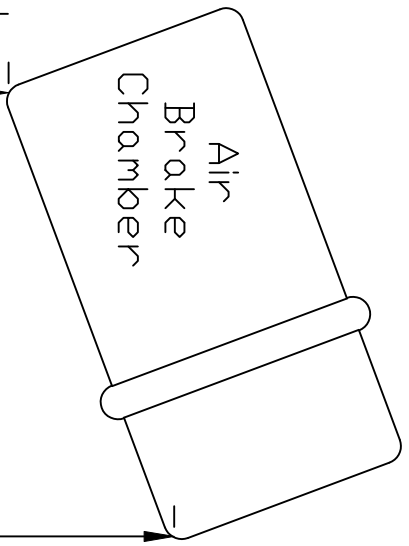
K = _____

Right Side View

Torque Link



NOTE:
This point should be the C/L of the axle



Front of Vehicle

Rear of Vehicle