



AUTOMATIC TIRE CHAINS

VEHICLE SUSPENSION INFORMATION

Trailer

Form #3130053

*Trailers with U-Bolt nuts on the bottom use form 3130009

The following information and measurements are required in order to determine if the trailer can be fit with Onspots, and, if so, which Model Onspot Chain Set and Mounting Bracket Kit is required. This information will be different from trailer to trailer based on trailer make/model, suspension make/model, tire size and wheel offset.

Dealer or OEM name: _____

Customer name: _____ Ref Unit No. _____

Address: _____

City: _____ State: _____ Zip: _____

Contact: _____ Phone Number: _____

Quantity of Identical trailers for this order: _____

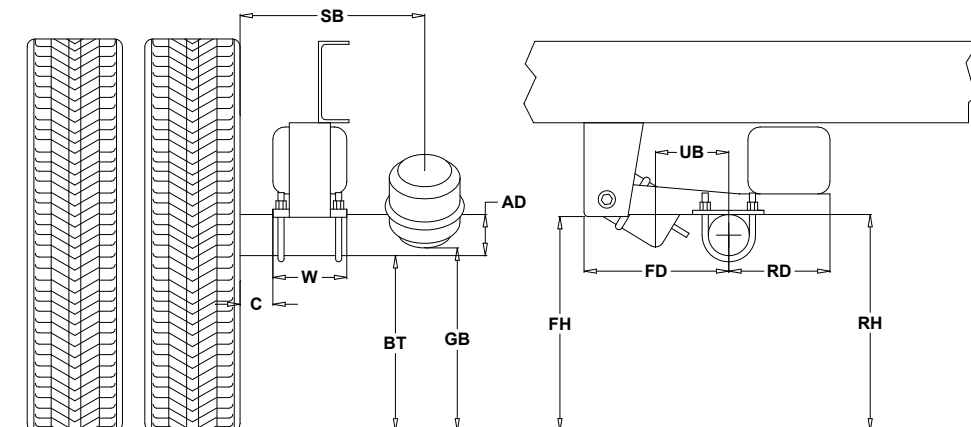
Trailer Make: _____ Model : _____

Air Brakes: Yes/No

Air Brake Location: Front / Rear

Suspension Make and Model: _____

Tire Size: _____ Brand: _____



C = _____ Distance between the tire sidewall and the closest point on the suspension, unless the brake components protrude outside the tire sidewall. If so, indicate and also measure from brakes to closest point on the suspension.

W = _____ Overall width of suspension on axle. Including anything that may interfere with a U-Bolt being placed over the axle.

BT = _____ Distance from the ground to the bottom of the axle.

AD = _____ Diameter of the axle tube. Indicate if the axle should happen to be square.

FD = _____ RD = _____ Distance forward and rearward of the suspension components from axle centerline.

FH = _____ RH = _____ Distance from the lowest point of the suspension to the ground in front and rear of the axle.

Air Brake Information: GB = _____ Brake chamber to Ground
 SB = _____ Center of brake chamber to tire sidewall
 UB = _____ Brake chamber to axle centerline

QUESTIONS? 1-800-224-2467 FAX COMPLETED FORM TO: 812-346-1819 OR EMAIL TO: service@onspot.com