



AUTOMATIC TIRE CHAINS

VEHICLE SUSPENSION INFORMATION

Capacity Yard Tractor

Form #3130029

Distributor _____

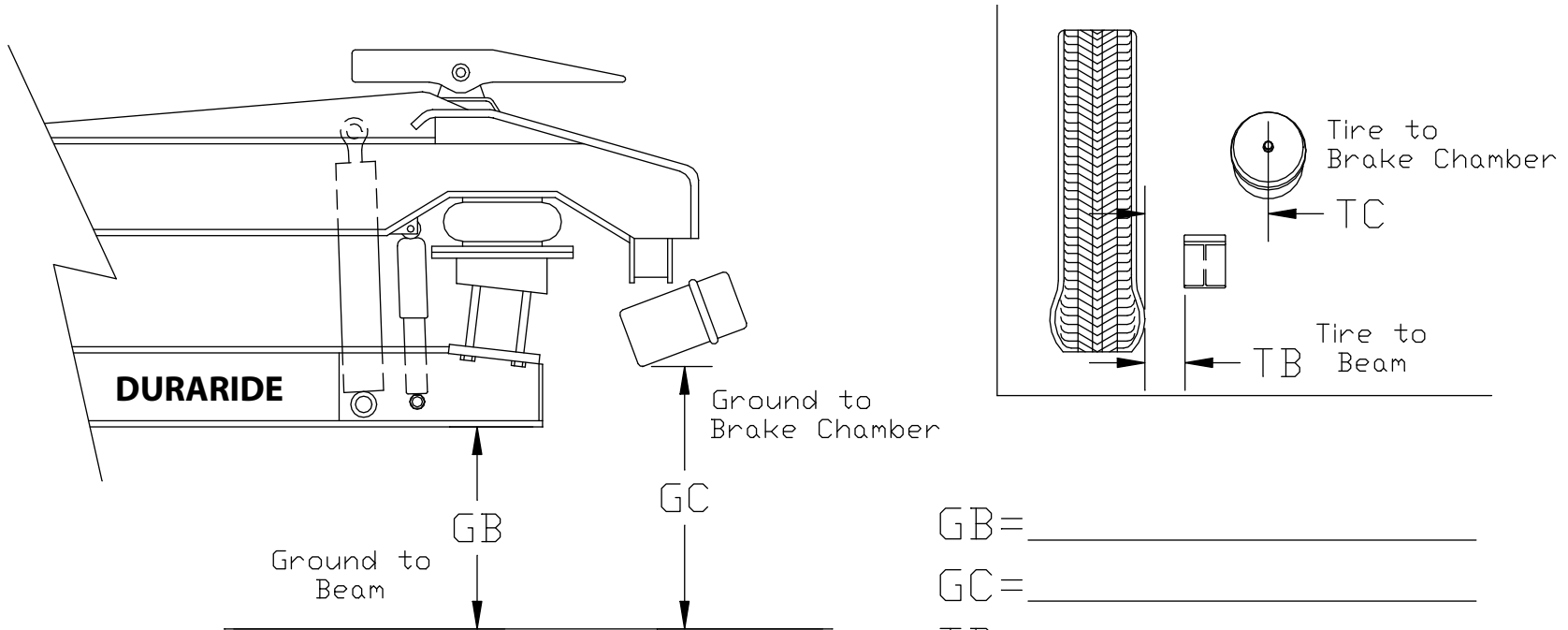
Customer _____

Address _____

Phone Number _____

Vehicle Make, Model, & Year _____

Tire Size _____



GB= _____

GC= _____

TB= _____

TC= _____

QUESTIONS? 1-800-224-2467
FAX COMPLETED FORM TO: 812-346-1819
OR EMAIL TO: service@onspot.com